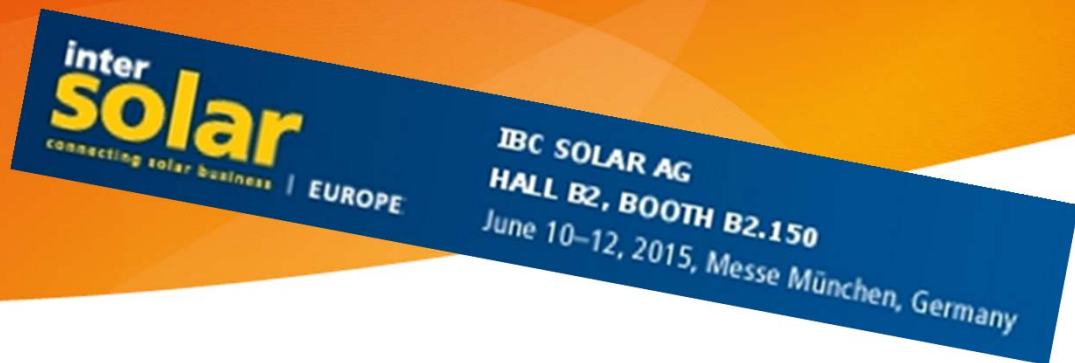


Sonnenstrom
mit System



BSW Solar Off-Grid Power Forum – Intersolar 2015

PHOTOVOLTAIC PUMP DRIVE SOLUTION - CASE STUDY NAMIBIA



Case study Namibia

Application



Sorry, wrong picture...

Case study Namibia

Application: Agricultural - Drop irrigation for vegetables farm



Target – Cost effective water supply

- ❑ Transported diesel costs on-site are very high and should be avoided -> PV system
- ❑ No power grid available -> complete off-grid solution needed
- ❑ Low price level as well as local maintenance requested -> no batteries
- ❑ Pump already existent -> manufacturer independent pump controller required

Our solution:

IBC SOLAR PV pump drive controller, powered by SIEMENS frequency inverter

Case study Namibia

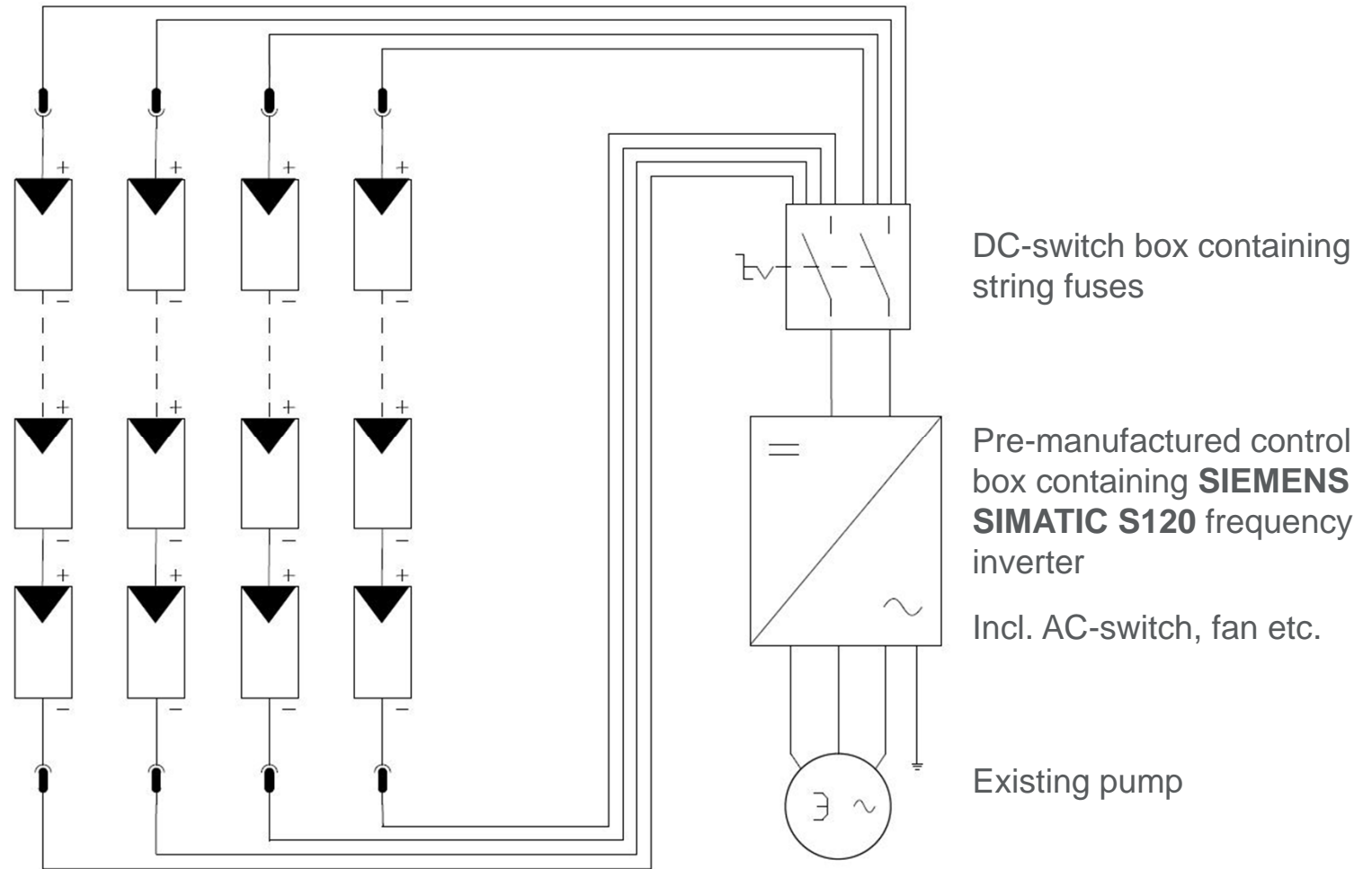
Connection scheme – Most simple system possible

Modular PV array:

Up to 4 pcs module strings,
each consisting of:

Up to 17 pcs PV modules
IBC PolySol 260 CS

Summing up to 17,68 kWp



DC-switch box containing
string fuses

Pre-manufactured control
box containing **SIEMENS
SIMATIC S120** frequency
inverter

Incl. AC-switch, fan etc.

Existing pump

Case study Namibia

System pictures



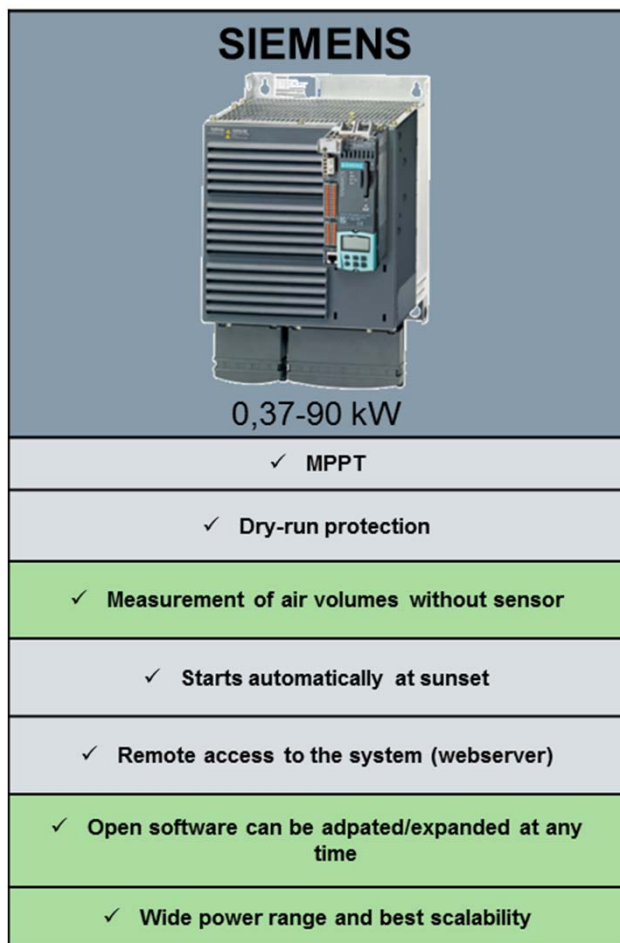
Case study Namibia

Application



SIEMENS solar pump drive controller

Overview of your benefits



- MPPT tracking function
- Available in different power classes: 3, 7.5, 15 kW - bigger units upon request
- Adjustable pump motor parameter settings
- Standard SIEMENS product – worldwide spare part availability given
- Suitable for all 3ph-motor pumps

Sonnenstrom
mit System



IBC SOLAR AG

IBC SOLAR AG

Am Hochgericht 10
96231 Bad Staffelstein
www.ibc-solar.com

Dieter Miener
Technical Applications Engineer
Dieter.Miener@IBC-SOLAR.de

